



Instructions For Use One

Issue Date: September 17, 2024
Revision: 1.0

Model: 80000120

UDID: 850011150221

 <p>AbleNet, Inc. 2625 Patton Road Roseville, MN 55113 United States of America www.ablenetinc.com</p>	 <p>EUCEREP Roald Dahllaan 33, 5629MC Eindhoven The Netherlands eucerep@eucerep.com</p>	<p>UK Responsible Person</p> <p>EUCEREP LTD 7 Tibbets Close, Meeting Lane Alcester, Warwickshire B49 5QU England, United Kingdom</p>
---	--	--

 <p>MedEnvoy Switzerland Gotthardstrasse 28 6302 Zug Switzerland Telephone: +41 41 562 01 42</p>

INTENDED PURPOSE

One is to help the client maintain their device in an ideal position for greatest ease and accuracy.

CLINICAL BENEFITS OF THE DEVICE

Allows patients to access technology when they would not have the motor or cognitive skills to operate another device. Specifically, One is an accessory that holds the position of an accessibility switch or tablet in position.

PERFORMANCE CHARACTERISTICS AND INFORMATION FOR HEALTH CARE PROFESSIONAL

Maximum Weight of Mounted Products: 5-lb/2.3-kg

Mounting Surface: Table Edge (2-in max), Tubing

Articulation (Positional Range): Medium

Positional Rigidity (Strength): Medium

Range/Reach: 20.5-in/52-cm

Maintenance Period Adjustment: No

Base Connection Method: Super Clamp

Product Weight: 2.9-lb/1.3-kg

Cord Management: Yes

Material:

Component	Qty	Material
One, Product Label	1	Gloss Label Paper - acrylic adhesive
Magic Arm	1	Aluminum, Stainless steel
Super Clamp	1	Aluminum, Steel
Spigot - 10mm x 50mm, 1/4-20 Female	2	steel
Universal Joint - 10mm x 2	1	aluminum
Ball Adapter with 1/4"-20 Threaded Post	1	Aluminum - powder coated
One, Quick Start Guide	1	paper
One, Box	1	corrugate

Suggested Operating Environment:

Ambient Temperature Range: 32°F - 95°F (0°C - 35°C)

Humidity: 10% - 95% (no condensation on device)

Suggested Transportation and Storage:

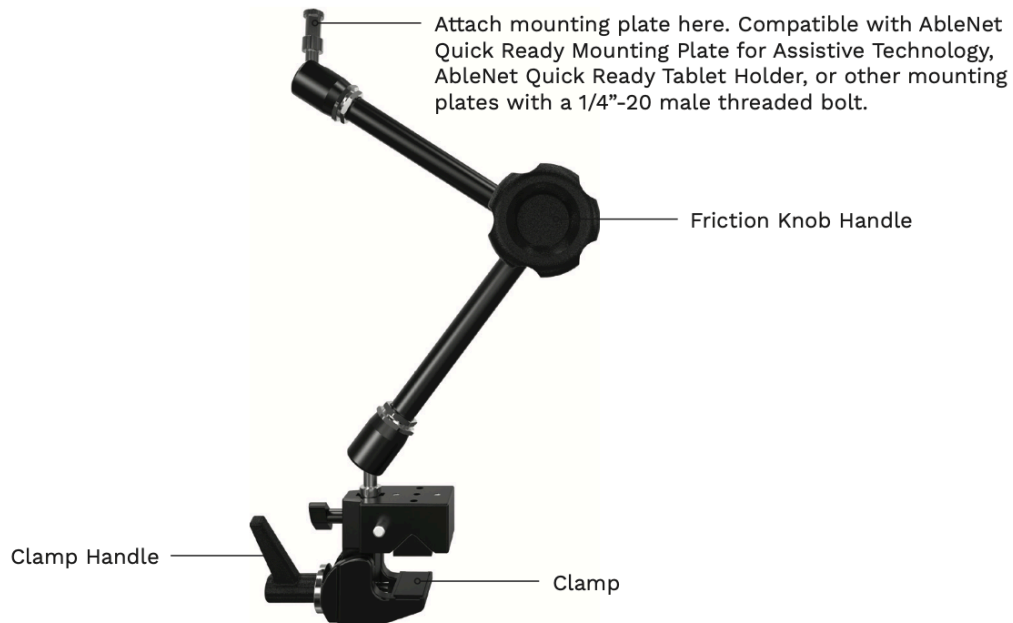
Ambient Temperature Range: -25°F - 158°F (-31°C - 70°C)

Humidity: 10% - 95% (no condensation on the device)

RISKS, WARNINGS, AND CONTRA-INDICATIONS

Device is not a toy and should not be thrown.

DEVICE OVERVIEW



USE INSTRUCTIONS

Compatibility

The mounting arm is compatible with AbleNet Quick Ready Mounting Plate for Assistive Technology or mounting plates that use a 1/4"-20 threaded rod to attach.

First Time Use

1. Attach the One mounting arm to table, wheelchair, or other surface using the Clamp. Turning the handle on the Clamp counterclockwise will loosen or open the Clamp to fit on larger surfaces. Turning the handle on the clamp clockwise will tighten the clamp.
 - a. If attaching to a tubular surface (e.g. wheelchair arm), remove the wedge inside the clamp by firmly grasping both sides of the wedge and pulling up.
2. Attach the threaded bolt side of the mounting plate (not included) to the end of the mounting arm.
3. Use Friction Knob Handle to adjust the mounting arm. Turning the Friction Knob Handle counterclockwise to loosen and then clockwise to tighten after positioning the mounting arm.

PREPARATORY TREATMENT

Cleaning and disinfecting your AbleNet assistive technology devices between uses is essential to the health and safety of the user. To help fight against the spread of germs, here are some helpful steps to cleaning and disinfecting your AbleNet device.

Always be sure to wear the appropriate personal protective equipment such as protective gloves and safety glasses.

Cleaning Your Device

1. Before disinfecting your device, remove any large chunks, visible heavy dirt, or debris that is attached to the device.
2. Wipe down the device with cleaning wipes.
3. Use a cotton swab soaked with cleaner to get into any tight areas that were not accessible with the cleaning wipes.
4. Let the device completely dry.

Disinfect Your Device

Now that the device is clean, it is time to disinfect it. Changing protective gloves may be required before disinfecting the device to ensure no dirt or debris is transferred back to the device.

1. Use a clean towel or wipes with Virucidal, Bactericidal, Pseudomonacidal, Tuberculocidal, or Fungicidal to disinfect the surfaces of the device. It is important to note that these chemicals only disinfect when they are wet and should be left wet on the device for at least 4-minutes.
2. Use a cotton swab soaked with Virucidal, Bactericidal, Pseudomonacidal, Tuberculocidal, or Fungicidal to disinfect the tight areas that were not accessible with the towel or wipes. Make sure the chemical stays wet on the device for at least 4-minutes.
3. Let the device air-dry entirely before using it.

TROUBLESHOOTING

The friction knob no longer tightens, or the arm can be easily moved once the knob is tightened.

The composite washer may need to be replaced. Remove the friction knob by turning the Friction Knob Handle counterclockwise, and inspect the washers. Replacement washers can be purchased online under the name Manfrotto R105904 Fiber Washer.

If the problem persists or if you have any additional questions, please visit www.ablenetinc.com/contact-us/ to contact the ableCARE Product Success Team.

PREVENTATIVE AND REGULAR MAINTENANCE

Clean One if necessary. No scheduled maintenance is required.

REUSABLE

One should be sent back to the manufacturer for cleaning, testing and refurbishment before reuse with another patient.

DEVICES USED TOGETHER WITH

One is an accessory to position other devices. When combined with a mounting plate such as the AbleNet Universal Mounting Plate, it can be used to position all AbleNet switches and some AbleNet speech generating devices.

PROPER DISPOSAL

Contact your local recycler for instructions on where to recycle the materials in the One.

WHEN TO CONTACT A HEALTHCARE PROFESSIONAL

Contact your provider if you need assistance with product placement.

NOTICE OF SERIOUS INCIDENT

If any serious incident has occurred while using this device, seek medical attention and then please report to AbleNet, Inc. and your competent authority of the member state in which you are in.

AbleNet, Inc.
2625 Patton Road
Roseville, MN 55113
United States of America
www.ablenetinc.com